

/// IS 212



Even this standard design with M12 external thread has its special features: Increased ranges with a small design save space and money.



Benefits:

- Large ranges allow you to choose a smaller construction and thus save space and costs
- The sensor can be mounted at a greater distance from moving parts
- The high sensitivity of the sensors makes them the inexpensive solution for special applications, e. g. for close-range detection of small parts
- Sturdy all-metal housing for permanent operation

Part no.	Part description	Operating range Sa Typ. operating range limit Sn	Switching frequency	Type of installation	Switching output 1	Description	Connection	Material
50114052	IS 212MM/4NC-10N-S12	0 ... 8.1 mm 10 mm	400 Hz	Non-embedded	Transistor, PNP, break-contact (NC)	DC	Connector, M12, 4-pin	Metal
50129355	IS 212MM/4NC-10N	0 ... 8.1 mm 10 mm	400 Hz	Non-embedded	Transistor, PNP, break-contact (NC)	DC	Cable, 2,000 mm, 3-wire	Metal
50109680	ISS 212MM/4NO-10N-S12	0 ... 8.1 mm 10 mm	400 Hz	Non-embedded	Transistor, PNP, make-contact (NO)	DC	Connector, M12, 4-pin	Metal
50109689	IS 212MM/4NO-10N	0 ... 8.1 mm 10 mm	400 Hz	Non-embedded	Transistor, PNP, make-contact (NO)	DC	Cable, 2,000 mm, 3-wire	Metal
50111952	IS 212MM/2NO-10N	0 ... 8.1 mm 10 mm	400 Hz	Non-embedded	Transistor, NPN, make-contact (NO)	DC	Cable, 2,000 mm, 3-wire	Metal

Part no.	Part description	Operating range Sa Typ. operating range limit Sn	Switching frequency	Type of installation	Switching output 1	Description	Connection	Material
50129358	IS 212MM/4NC-8NO-S12	0 ... 6.4 mm 8 mm	1,500 Hz	Non-embedded	Transistor, PNP, break-contact (NC)	DC	Connector, M12, 4-pin	Metal
50129357	IS 212MM/4NC-8NO	0 ... 6.4 mm 8 mm	1,500 Hz	Non-embedded	Transistor, PNP, break-contact (NC)	DC	Cable, 2,000 mm, 3-wire	Metal
50112808	IS 212MM/4NO-8NO-S12	0 ... 6.4 mm 8 mm	1,500 Hz	Non-embedded	Transistor, PNP, make-contact (NO)	DC	Connector, M12, 4-pin	Metal
50112807	IS 212MM/4NO-8NO	0 ... 6.4 mm 8 mm	1,500 Hz	Non-embedded	Transistor, PNP, make-contact (NO)	DC	Cable, 2,000 mm, 3-wire	Metal
50129356	IS 212MM/2NC-8NO	0 ... 6.4 mm 8 mm	1,500 Hz	Non-embedded	Transistor, NPN, break-contact (NC)	DC	Cable, 2,000 mm, 3-wire	Metal
50120274	IS 212MM/2NO-8NO-S12	0 ... 6.4 mm 8 mm	1,500 Hz	Non-embedded	Transistor, NPN, make-contact (NO)	DC	Connector, M12, 4-pin	Metal
50112806	IS 212MM/2NO-8NO	0 ... 6.4 mm 8 mm	1,500 Hz	Non-embedded	Transistor, NPN, make-contact (NO)	DC	Cable, 2,000 mm, 3-wire	Metal
50112914	IS 212MM/4NC-4NO-S12	0 ... 3.2 mm 4 mm	2,000 Hz	Non-embedded	Transistor, PNP, break-contact (NC)	DC	Connector, M12, 4-pin	Metal
50129351	IS 212MM/4NC-4NO	0 ... 3.2 mm 4 mm	1,500 Hz	Non-embedded	Transistor, PNP, break-contact (NC)	DC	Cable, 2,000 mm, 3-wire	Metal
50109669	IS 212MM/4NO-4NO-S12	0 ... 3.2 mm 4 mm	2,000 Hz	Non-embedded	Transistor, PNP, make-contact (NO)	DC	Connector, M12, 4-pin	Metal
50111963	ISS 212MM/4NO-4NO-S12	0 ... 3.2 mm 4 mm	2,000 Hz	Non-embedded	Transistor, PNP, make-contact (NO)	DC	Connector, M12, 4-pin	Metal
50109668	IS 212MM/4NO-4NO	0 ... 3.2 mm 4 mm	2,000 Hz	Non-embedded	Transistor, PNP, make-contact (NO)	DC	Cable, 2,000 mm, 3-wire	Metal
50121012	IS 212MM/2NC-4NO-S12	0 ... 3.2 mm 4 mm	2,000 Hz	Non-embedded	Transistor, NPN, break-contact (NC)	DC	Connector, M12, 4-pin	Metal
50129352	IS 212MM/2NC-4NO	0 ... 3.2 mm 4 mm	1,500 Hz	Non-embedded	Transistor, NPN, break-contact (NC)	DC	Cable, 2,000 mm, 3-wire	Metal
50109671	IS 212MM/2NO-4NO-S12	0 ... 3.2 mm 4 mm	1,500 Hz	Non-embedded	Transistor, NPN, make-contact (NO)	DC	Connector, M12, 4-pin	Metal
50109670	IS 212MM/2NO-4NO	0 ... 3.2 mm 4 mm	1,500 Hz	Non-embedded	Transistor, NPN, make-contact (NO)	DC	Cable, 2,000 mm, 3-wire	Metal
50112209	ISS 212MM/2NO-4NO	0 ... 3.2 mm 4 mm	2,000 Hz	Non-embedded	Transistor, NPN, make-contact (NO)	DC	Cable, 2,000 mm, 3-wire	Metal
50109679	ISS 212MM/4NO-6EO-S12	0 ... 4.8 mm 6 mm	800 Hz	Embedded	Transistor, PNP, make-contact (NO)	DC	Connector, M12, 4-pin	Metal
50109678	IS 212MM/4NO-6EO	0 ... 4.8 mm 6 mm	800 Hz	Embedded	Transistor, PNP, make-contact (NO)	DC	Cable, 2,000 mm, 3-wire	Metal
50109688	ISS 212MM/2NO-6EO-S12	0 ... 4.8 mm 6 mm	800 Hz	Embedded	Transistor, NPN, make-contact (NO)	DC	Connector, M12, 4-pin	Metal
50109682	IS 212MM/2NO-6EO	0 ... 4.8 mm 6 mm	800 Hz	Embedded	Transistor, NPN, make-contact (NO)	DC	Cable, 2,000 mm, 3-wire	Metal
50127466	IS 218MM/4NC-5EO-S12	0 ... 4 mm 5 mm	2,000 Hz	Embedded	Transistor, PNP, break-contact (NC)	DC	Connector, M12, 4-pin	Metal
50109674	IS 212MM/4NC-4EO-S12	0 ... 3.2 mm 4 mm	2,000 Hz	Embedded	Transistor, PNP, break-contact (NC)	DC	Connector, M12, 4-pin	Metal
50109676	ISS 212MM/4NC-4EO-S12	0 ... 3.2 mm 4 mm	2,000 Hz	Embedded	Transistor, PNP, break-contact (NC)	DC	Connector, M12, 4-pin	Metal
50129353	IS 212MM/4NC-4EO	0 ... 3.2 mm 4 mm	2,000 Hz	Embedded	Transistor, PNP, break-contact (NC)	DC	Cable, 2,000 mm, 3-wire	Metal
50129359	ISS 212MM/4NC-4EO	0 ... 3.2 mm 4 mm	2,000 Hz	Embedded	Transistor, PNP, break-contact (NC)	DC	Cable, 2,000 mm, 3-wire	Metal
50109673	IS 212MM/4NO-4EO-S12	0 ... 3.2 mm 4 mm	2,000 Hz	Embedded	Transistor, PNP, make-contact (NO)	DC	Connector, M12, 4-pin	Metal
50109685	ISS 212MM/4NO-4EO-S12	0 ... 3.2 mm 4 mm	2,000 Hz	Embedded	Transistor, PNP, make-contact (NO)	DC	Connector, M12, 4-pin	Metal
50109672	IS 212MM/4NO-4EO	0 ... 3.2 mm 4 mm	2,000 Hz	Embedded	Transistor, PNP, make-contact (NO)	DC	Cable, 2,000 mm, 3-wire	Metal
50109684	ISS 212MM/4NO-4EO	0 ... 3.2 mm 4 mm	2,000 Hz	Embedded	Transistor, PNP, make-contact (NO)	DC	Cable, 2,000 mm, 3-wire	Metal
50109677	IS 212MM/2NC-4EO-S12	0 ... 3.2 mm 4 mm	2,000 Hz	Embedded	Transistor, NPN, break-contact (NC)	DC	Connector, M12, 4-pin	Metal
50111741	ISS 212MM/2NC-4EO-S12	0 ... 3.2 mm 4 mm	2,000 Hz	Embedded	Transistor, NPN, break-contact (NC)	DC	Connector, M12, 4-pin	Metal
50114380	IS 212MM/2NC-4EO	0 ... 3.2 mm 4 mm	2,000 Hz	Embedded	Transistor, NPN, break-contact (NC)	DC	Cable, 2,000 mm, 3-wire	Metal
50129354	IS 212MM/2NO-4EO-S12	0 ... 3.2 mm 4 mm	2,000 Hz	Embedded	Transistor, NPN, make-contact (NO)	DC	Connector, M12, 4-pin	Metal
50109687	ISS 212MM/2NO-4EO-S12	0 ... 3.2 mm 4 mm	2,000 Hz	Embedded	Transistor, NPN, make-contact (NO)	DC	Connector, M12, 4-pin	Metal
50109675	IS 212MM/2NO-4EO	0 ... 3.2 mm 4 mm	2,000 Hz	Embedded	Transistor, NPN, make-contact (NO)	DC	Cable, 2,000 mm, 3-wire	Metal
50111870	IS 212MM/4NC-2EO-S12	0 ... 1.6 mm 2 mm	3,000 Hz	Embedded	Transistor, PNP, break-contact (NC)	DC	Connector, M12, 4-pin	Metal
50129350	IS 212MM/4NC-2EO	0 ... 1.6 mm 2 mm	3,000 Hz	Embedded	Transistor, PNP, break-contact (NC)	DC	Cable, 2,000 mm, 3-wire	Metal
50109665	IS 212MM/4NO-2EO-S12	0 ... 1.6 mm 2 mm	3,000 Hz	Embedded	Transistor, PNP, make-contact (NO)	DC	Connector, M12, 4-pin	Metal
50109664	IS 212MM/4NO-2EO	0 ... 1.6 mm 2 mm	3,000 Hz	Embedded	Transistor, PNP, make-contact (NO)	DC	Cable, 2,000 mm, 3-wire	Metal
50129415	IS 212MM/2NC-2EO	0 ... 1.6 mm 2 mm	3,000 Hz	Embedded	Transistor, NPN, break-contact (NC)	DC	Cable, 2,000 mm, 3-wire	Metal
50109666	IS 212MM/2NO-2EO	0 ... 1.6 mm 2 mm	3,000 Hz	Embedded	Transistor, NPN, make-contact (NO)	DC	Cable, 2,000 mm, 3-wire	Metal

Switching sensors

Measuring sensors

Products for safety at work

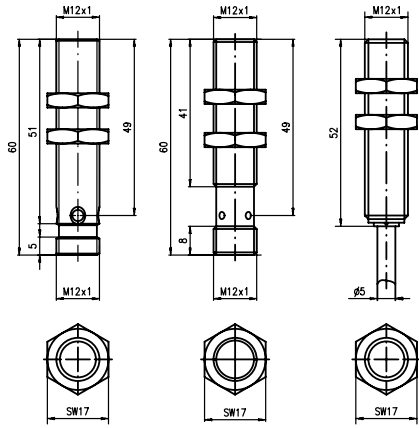
Identification

Data transmission / Control components

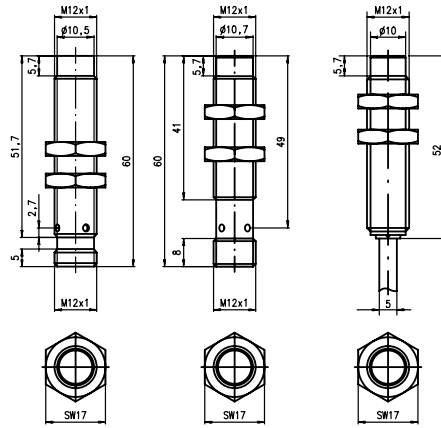
Industrial image processing

Accessories

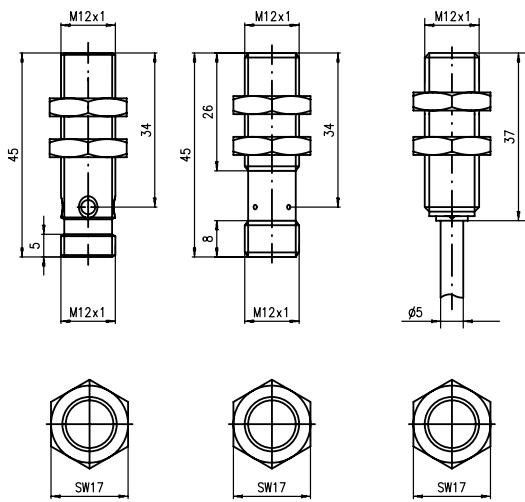
Dimensioned drawings: IS 212



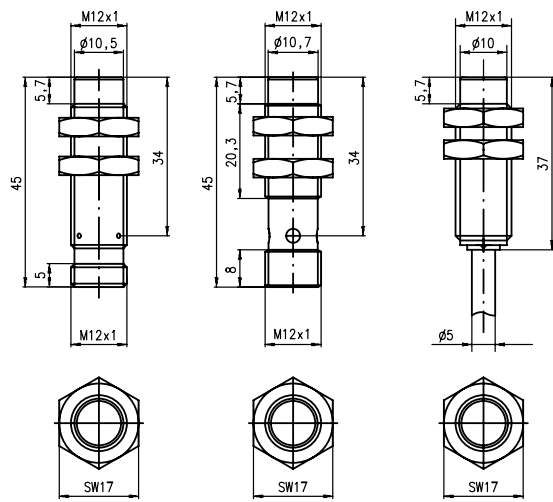
IS 212...E... series



IS 212...N... series



ISS 212...E... series



ISS 212...N... series